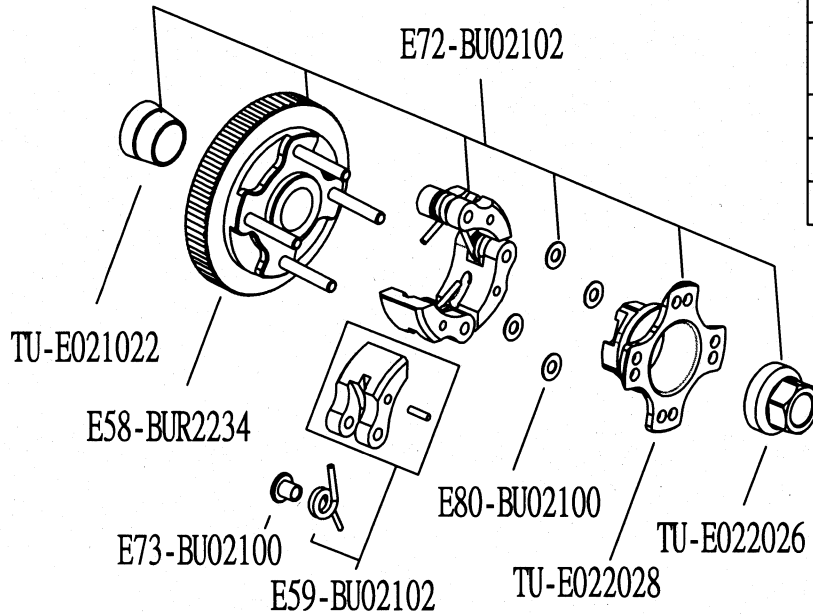




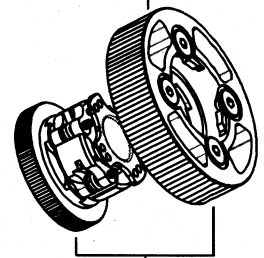
4 Shoe Clutch System

E72-BU02102	4 Shoe Clutch System
E73-BU02100	4 Shoe Clutch Spring Bush(4pcs)
E59-BU02102	4 Shoe Aluminum Shoe & Springs
E58-BUR2234	4 Shoe Flywheel
E80-BU02100	4 Shoe Clutch Shim 2.1 x 4.5 x 0.2 (10pcs)
TU-E021022	Flywheel Collet
TU-E022026	4 Shoe Clutch Nut
TU-E022028	4 Shoe Clutch Cover



Additional Selling Item

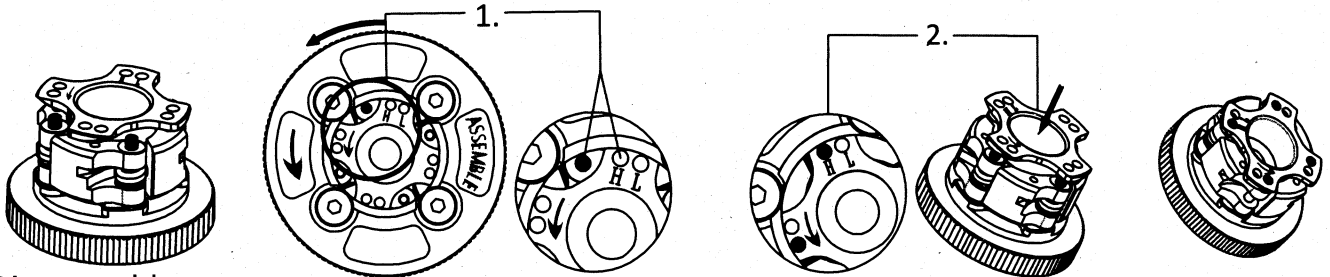
4 Shoe Clutch Tool
E75-BU02101



E77-BU02101-1
4 Shoe Clutch System & Tool

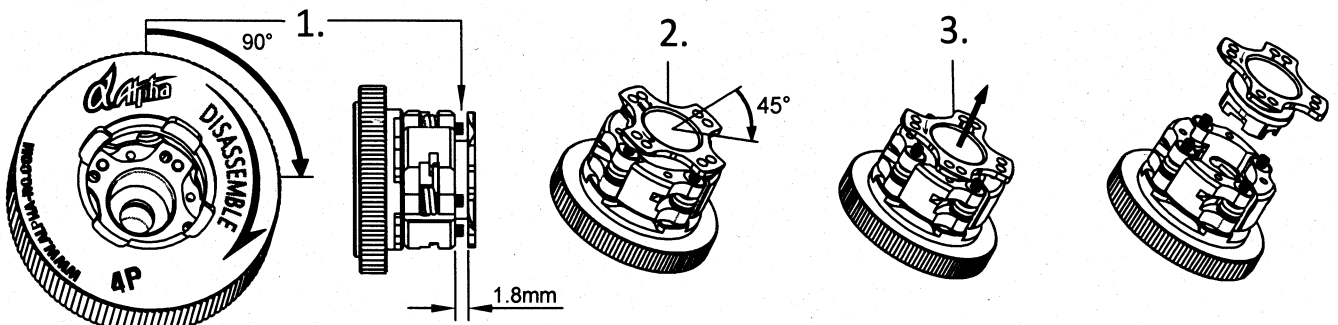
How to use 4 Shoe Clutch System Tool Assemble

1. With the Assemble side facing towards you, place the tool over the clutch cover. Turn left until the either the H or L position of the clutch cover is over the pin.
2. With either H or L position over the pin, simply press down the tool. Remove the tool to complete the assembly.



Disassemble

1. With the Disassemble side facing towards you, place the tool on the clutch cover. Turn right 90° to pull the cover apart the clutch system.
2. Then flip the tool to make the Assemble on top, then turn 45° to reduce the tension. (This will reduce the damage to the cover.)
3. Remove the tool to complete the disassembly.



For more spare parts, please visit
www.alpha-rc.com
We reserve the right to make changes without notice.